



# NEW HOLLAND

## D 150<sub>B</sub>



MAX ENGINE POWER	116 kW - 155 hp		
MAX OPERATING WEIGHT	LT	XLT	WT/LGP
	15 290 kg	15 965 kg	17 240 kg



**BUILT AROUND YOU**

## New hydrostatic transmission

- Simple and durable design
- Dual Path, Closed Loop System
  - Turn under power
  - Counter rotation under power
  - Self adjusting push/speed to side load change
  - Keeps direction even on slopes
- Dynamic Braking effect
- Infinitely variable travel speed
- 10% fuel efficiency

## New CNH common rail engine

- High-Tech design and technology
- High displacement, 6 cylinders, turbo, after-cooled
- Powerful, responsive, low fuel consumption
- Environmentally friendly
- Complies with European Noise & Pollution Regulations





# EFFICIENCY

## New operator compartment

- Extremely roomy tiltable ROPS/FOPS cab
- Car style analogic and electronic instrument cluster
  - All controls ergonomically positioned
- Access from both sides with 180° opening lockable doors
  - 360° panoramic visibility including blade corners
  - New soft Electro Hydraulic joysticks
- Fully adjustable seat with self wrapping seat belt

## A powerful genius for every application

- Choice of 4 undercarriage versions: LT/XLT/WT/LGP
- Wide choice of blades: HS/HSU/ PAT blade of 2 different width
  - New longer undercarriage
  - Wide choice of shoes



## NEW TIER 3A CNH COMMON RAIL ENGINE

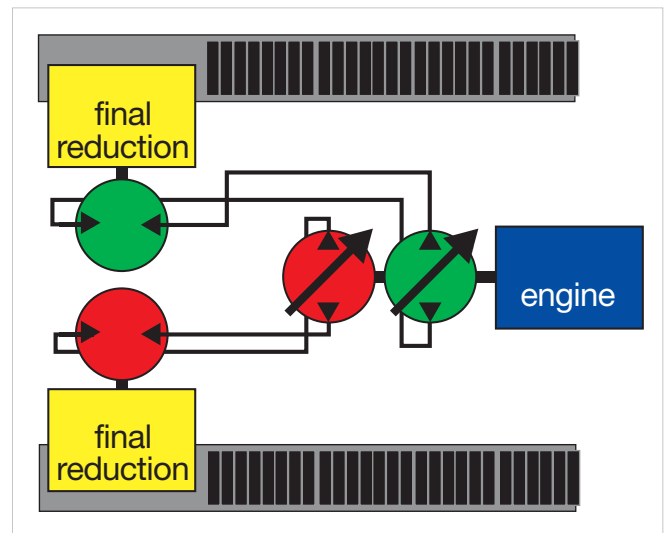


**T**his new CNH Common Rail engine is a jewel of technology, designed to deliver high power and torque and to reduce fuel consumption and pollution. It features a 12% higher maximum power at the same crankshaft revolution (2200 r.p.m.) and an increase of maximum torque to 690 Nm (versus 650 Nm) if compared to the previous model. The Common Rail system assures an electronically controlled injection of fuel in the cylinders at very high pressure, optimising nebulization and mix with an increased quantity of turbocharged and after-cooled air, thus assuring a peak efficiency output of the combustion.

## DUAL PATH CLOSED LOOP SYSTEM

**D**ual path, Closed Loop System means that each sprocket has its independent transmission. Each transmission is composed by a variable displacement axial piston type pump connected with a variable displacement, bent axis piston type motor.

This closed loop allows the hydraulic system to adjust the power to each track while turning or counter-rotating, to manage any sudden load on the blade, to achieve any turning radius or to keep the straight direction even on slopes by automatically modulating the flow (speed) and pressure (power) on each interested track. A completely Load Sensing Automatic transmission.





# ER OF A SIMPLE DESIGN

## DYNAMIC BRAKING EFFECT

The Closed Loop System features also a Dynamic Braking Effect which automatically reduces the machine speed on slopes allowing the operator to keep a safe and precise machine control in all working condition.

The Dynamic Braking can also be controlled on the move by the operator by acting on the decelerator pedal, thus decreasing the engine r.p.m. which means reducing pumps oil flow and consequently machine speed, same time achieving also great dozer precision work.

Service brake is applied by a brake pedal. Parking brake, spring applied and hydraulically released, becomes operative when lifting the two safety levers or, automatically, any time the machine is not moving for more than 30 seconds.



## FINAL DRIVE REDUCTION

The power generated by hydraulic motors is transferred in a correct ratio to sprockets thanks to a sophisticated system which combines a triple reduction with a planetary reduction final drive.



# D150B

THE POWER OF

TURNS AND COUNTER

## SELF ADJUST PUSH/SPEED

**T**he new, simple design, Full Hydrostatic Transmission allows the D150B to self adjust power (push) and speed to direction and load changes, thus exploiting at best the engine and resulting in a peak efficiency output.



## FEATURES

- Rugged, simple design power train
- Dual Path, Closed Loop System
- Infinitely variable travel speed
- Dynamic braking effect
- Enhanced power and torque
- Effectively reduced moving parts



# F FULL HYDROSTATIC TRANSMISSION

## ROTATION UNDER POWER

### KEEPS DIRECTION ON SLOOPS & WITH BLADE SIDE LOAD

**M**aximum necessary power or speed is separately granted to each track to optimise performances in all working conditions: direction changes and counter-rotations, sudden changes of load on the blade or to keep the straight direction on sloops.



### BENEFITS

- A new, durable power train which grants 10% fuel efficiency for enhanced economy
- Turns and counter-rotation under power for operator comfort and efficiency in quickly repositioning machine and blade on the go
- Maximum productivity and efficiency in all application conditions, without gear shifting
- For easy and safe operation even on sloops
- Higher drawbar pull for increased productivity and faster return of investment
- High economy and durability thanks to reduced maintenance and service costs over machine life

## LONGER UNDERCARRIAGE

The D150B features a longer undercarriage which enhances:

- Outstanding blade levelling capability
- Superior stability
- Greater operator comfort on uneven ground travel conditions



## SEALED AND LUBRICATED TRACKS (S.A.L.T.)

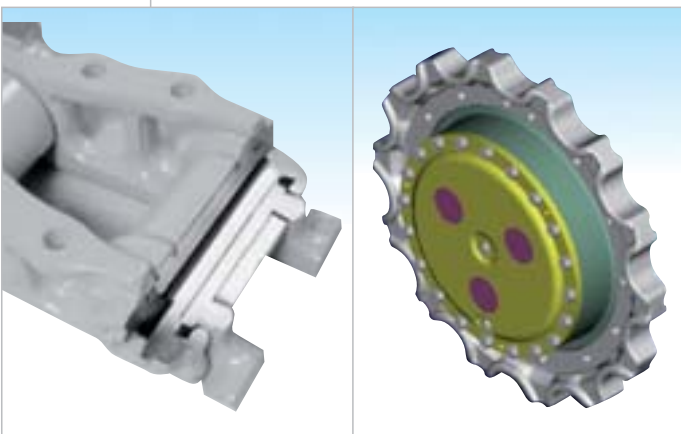
Sealed And Lubricated Tracks in combination with 8% increase of link pitch and lifetime lubricated rollers and idlers, result in an effective increase in performances, reliability and durability of the machine undercarriage



## OPTIONAL EXTENDED LIFE TRACKS (E.L.T.)

If compared to S.A.L.T., this New Holland special track features a hardened double bushing enclosing the standard pin. The larger bushing is free to rotate over the smaller one thus dramatically reducing the wear effect due to the contact between the bushing itself and the sprocket teeth.

In abrasive heavy applications, the E.L.T. design shows a double durability if compared to S.A.L.T. design which, by the way, is proved to be much better and durable than standard tracks. Due to larger bushings, E.L.T. require a different sprocket which features less teeth, 40% more material in the tooth root area and three times more wear material between each tooth.





# POWER OF NOVELTIES

## BLADES

The New Holland D150B can be supplied with different types of blades:

- Straight (HS)
- Semi-U (HSU)
- Pat (or 6-Way)

HS and HSU blades are offered for the LT version only, while PAT blade is available in two different dimensions for all machine versions.

For transport reasons, the 4000 mm wide PAT blade available for WT and LGP versions, can also be offered in the “foldable” version.

When it is folded, even the D150B LGP stays in the 3000 mm transport width.

The PAT blade is particularly appreciated for its easy of operation, compactness and application flexibility thus increasing operator comfort and machine productivity.



# D150B THE POWER

## ROOMY OPERATOR COMPARTMENT

The modern and bright operator compartment has been designed around you and with your comfort in mind. It allows the operator to work in an extremely comfortable environment, enjoying 360° and unrestricted blade corners visibility.



## NEW ELECTRO-HYDRAULIC JOYSTICKS...

Both right and left joysticks are electro-hydraulically controlled to practically eliminate operator fatigue. The right one controls all blade movements and features the float position

## ...WITH ELECTRONIC SPEED CONTROL

The left joystick controls all the machine movements and features detent positions on both Forward and Reverse. On its top are positioned two switches with which the operator can select up to 10 forward speeds, within the maximum machine forward speed of 10 km/h. At engine start-up, forward default speed is 60% of maximum speed. On the left side of this joystick is positioned a proportional reverse speed selector knob which allows the operator to choose four different reverse speeds, corresponding to 80% or 100% or 115% or 130% of the previously selected forward speed.





# OF SAFETY AND COMFORT

## ROPS AND FOPS CAB

**T**he cab of D150B is ROPS/FOPS type to grant maximum operator safety, while for his convenience there are two entrances, one per side, with doors which can be opened and locked at 180°.

Both exits are protected by safety levers which, when lifted to allow the operator to get out, cut-off the hydraulic pressure so that no joystick can be anymore operated and spring applied parking brakes stop the machine.

Side window can be opened for natural ventilation but, for maximum operator comfort, air-conditioning system can be supplied on request.



## OPERATOR SEAT

**T**he comfortable contoured seat is adjustable in all directions, it has a inclinable backrest and it is supplied with standard self wrapping seat belt. All this allows the operator to choose the most convenient position to easily reach the controls which are already ergonomically positioned.

For extra comfort an air suspended seat is offered as optional.



## INSTRUMENT PANEL

**T**he instrument panel of D150B has a modern, car type shape. Four analogical gauges monitor engine oil and water temperature, batteries charge and fuel level.

A well visible digital display, located in the centre of the dashboard, advises on maintenance programs schedule, provides malfunction advices and includes the hourmeter.

An advanced and well visible information centre which provides useful advices in real time thus granting operator comfort and safety, machine efficiency and durability and maximum operating economy.



# D150B THE POWER OF

...JUST OPEN THE PANELS OF THE LEFT SIDE...



## TILTABLE CAB

**T**he new D150B has a cab which can be completely tilted over the left side. This feature provides an unmatched service access to all power train components. Moreover, the tilting function is provided by a hydraulic hand pump for operator/mechanic convenience, same time granting quick and safe checks or repairs, if needed.



## BATTERIES, FUSES AND RELAYS

**W**hile lifting the left side panel under the cab, you have at hands reach the batteries, the main electrical switch, fuses and relays. New Holland D150B is a new, modern machine which, in its contents, confirms having been studied, designed and "Built Around You".....

Keeping in mind your comfort, your safety and you satisfaction, New Holland offers you again a New, Efficient, Economic, Durable and High-Tech jewel.





# EASY MAINTENANCE & SERVICEABILITY

...JUST OPEN THE PANELS OF THE RIGHT SIDE...



## ENGINE CHECK

The access to the engine compartment from both left and right side is so wide and comfortable that it is not necessary to describe how easy is to check all main engine components, fluid levels as well as oil and fuel filters.



## CONTROL VALVE & PRESSURE CHECK POINTS

All the other main components are also very easy to reach even from ground level. On the right side it is enough to lift two seagull type panels to have full access to the main control valve. It is a 3 spool standard type to operate the blade but, on request, a 4th spool can be supplied for machine equipped with ripper. Near the control valve are grouped 6 nipples to allow a quick pressure check of all main hydraulic components. On the internal wall of the hydraulic tank, aside one of the two big hydraulic oil filters, is positioned the oil level indicator.



# D150B SPECIFICATIONS



## ENGINE TIER 3A

Max engine power (ECE R120).....116 kW/155 hp  
 Net flywheel power (SAE J1349).....107 kW/143 hp  
 Make and model..... CNH 667TA/EDD  
 Type.....Common Rail, Electronic injection, Turbo-aftercooler, 4-valves diesel  
 Number of cylinders .....6  
 Bore x stroke .....104 x 132 mm  
 Displacement .....6.7 l  
 Governed .....2200 rpm  
 Maximum torque at 1400 rpm .....690 Nm  
 Lubrication .....full pressure by gear pump  
*The engine complies with 97/68/EC Standards TIER 3A*



## ELECTRICAL SYSTEM

Voltage.....24 V  
 Battery .....2  
 rating (total).....160 Ah  
 type.....maintenance free  
 Starter .....7.5 kW  
 Alternator .....65 A  
 Master switch for electrical system.



## HYDROSTATIC TRANSMISSION

Dual path infinitely variable, single-lever controlled hydrostatic drive with electronic straight tracking & counter-rotation, 10 positions forward/4 positions reverse ratio control.  
 Pumps (2) .....variable displacement axial piston type  
 Motors (2) .....variable displacement bent axis piston type  
 Maximum drawbar pul .....275 kN  
 Transmission.....Single lever control - electronic straight tracking  
 Oil filter .....2 micron, spin-on replaceable  
 Max travel speeds:  
 Forward.....0 - 10 km/h  
 Reverse.....0 - 13 km/h



## BRAKES

Parking brakes ..... Heavy-duty, Automatic spring applied, hydraulic pressure released  
 Steering brakes.....Hydrostatic



## FINAL DRIVES

2 helical gear reductions with planetary output reduction. Decelerator with hydrostatic drive retardation. Ratio.....61.4 : 1



## TRACK

Box section track frames. Oscillating type. Front crossbar pinned. Hydraulic track adjusters. Sprockets with bolt-on segments, anti-packing tooth profile. Track bushing with greater diameter at the rolling area. Outer sprocket guard, front and rear track guards, centre track guiding guard. Lifetime Lubricated rollers and idlers SALT (Sealed And Lubricated Track) chains with 190 mm pitch. Split master link.

	LT	XLT	WT/LGP
Track rollers (per track)	7	8	8
Carrier rollers (per track)	2	2	2
Number of shoes	40	45	45
Length of track on ground (mm)	2575	3050	3050
Gauge (mm)	1880	1880	2135
Shoe grouser height (mm)	55	55	55

	Track shoes	Ground contact area	Ground pressure
LT	560 mm	28085 cm <sup>2</sup>	0.52 kg/cm <sup>2</sup>
LT	610 mm	31410 cm <sup>2</sup>	0.48 kg/cm <sup>2</sup>
XLT	560 mm	34095 cm <sup>2</sup>	0.46 kg/cm <sup>2</sup>
XLT	610 mm	37205 cm <sup>2</sup>	0.42 kg/cm <sup>2</sup>
WT	560 mm	34095 cm <sup>2</sup>	0.48 kg/cm <sup>2</sup>
WT	610 mm	37205 cm <sup>2</sup>	0.44 kg/cm <sup>2</sup>
WT	710 mm	43025 cm <sup>2</sup>	0.38 kg/cm <sup>2</sup>
LGP	865 mm	52695 cm <sup>2</sup>	0.32 kg/cm <sup>2</sup>



## IMPLEMENTS HYDRAULIC SYSTEM

Pressure compensated system with a closed centre, flow sharing standard 3 spools control valve, and gear pump.  
 Pump.....gear type  
 Capacity at governed 2200 rpm .....132 l/min  
 Relief valve pressure .....195 bar  
 HS & HSU blades lift cylinders .....2  
 Bore x stroke .....80 x 1185 mm  
 HSU tilt cylinder .....1  
 Bore x stroke .....125 x 140 mm  
 PAT blade lift cylinders .....2  
 Bore x stroke .....90 x 825 mm  
 tilt cylinders.....1  
 Bore x stroke .....125 x 135 mm  
 LT & XLT angle cylinders .....2  
 Bore x stroke .....100 x 510 mm  
 LGP angle cylinders .....2  
 Bore x stroke .....110 x 510 mm



## CAPACITIES

Fuel tank	liters	246
Engine Lube oil		16
Engine Coolant		32
Hydraulic system (transmission and implement)		98
Final drive (each side)		14

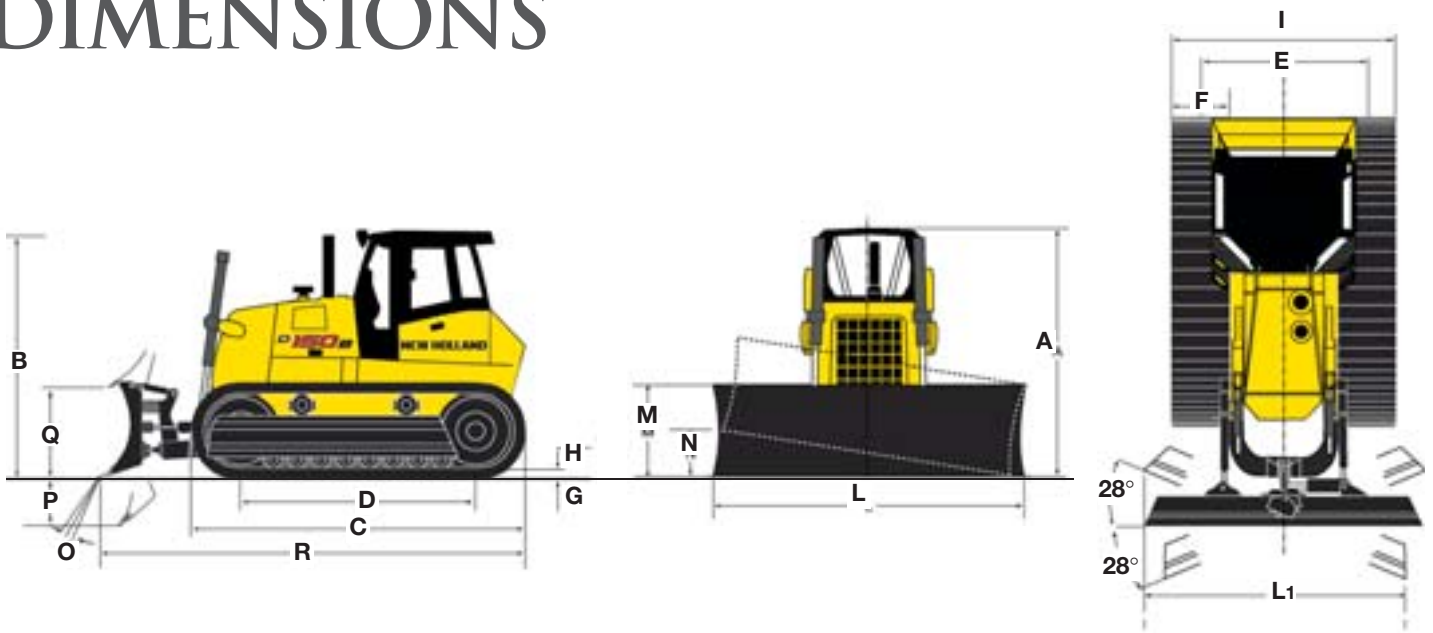


## RIPPER

Type.....Parallelogram  
 Max ripping depth (mm) .....480  
 Ripping width (mm) .....1635  
 Number of teeth .....3  
 Clearance, under teeth with ripper raised (mm) .....425  
 Number of cylinders .....2  
 Hydraulic cylinder bore x stroke (mm) .....102 x 255  
 Overall width (mm) .....1710  
 Weight (with shanks) (kg) .....1250



# DIMENSIONS



TRACTOR DIMENSIONS		LT	XLT	WT/LGP
A	Height over cab	mm	3000	3000
B	Height over muffler	mm	2885	2885
C	Tractor length	mm	3590	4065
D	Length of track on ground	mm	2575	3050
E	Gauge	mm	1880	2135
F	Track shoes width	mm	560	560-610
G	Shoe grouser height	mm	55	55
H	Ground clearance	mm	350	350
I	Overall width with shoes 560	mm	2440	-
	Overall width with shoes 610	mm	-	2490
	Overall width with shoes 710	mm	-	-
	Overall width with shoes 865	mm	-	-
	Shipping weight w/o blade**	kg	13650	14315

BLADES DIMENSIONS		HS	Semi-U (HSU)	6 Way	6 Way	6 Way	Foldable 6 Way
	Blade capacity SAE J1265	m <sup>3</sup>	3.10	4.10	3.15	3.15	3.15
L	Width of blade	mm	3180	3180	3200	3200	4000
L1	Width of blade in transport position	mm	-	-	2915	2810	3525
M	Height of blade	mm	1100	1320	1180	1180	1000
N	Max. tilt	mm	550	695	450	450	550
O	Max. pitch	°	10	10	5	5	5
P	Digging depth	mm	400	480	490	490	590
Q	Max. lift above ground	mm	1105	900	950	950	900
R	Overall length with blade***	mm	4750	5025	4975	5410	5410
	Operating weight with blade*	kg	14860	15010	15290	15965	17040

\*Includes ROPS Cab , 610 mm shoes, (865 mm for LGP) fuel oil and operator, for unit with ROPS canopy deduct 420 kg.

\*\*Includes ROPS Cab , 610 mm shoes, 10% fuel, blade lift cylinders, lubricants, coolant, for unit with ROPS canopy deduct 420 kg.

\*\*\*With ripper raised, add 1230 mm to dozer length

# NEW HOLLAND. THE POWER OF A GLOBAL BRAND

New Holland is a global brand with a key position in the Construction Equipment business. It supplies a complete range of 13 product lines and 80 basic models split into Compact line and Heavy line. It operates in all the main markets, such as Europe, North and Latin America, Africa, Asia and Middle East with the same technology and under the same logo and brand. It manufactures durable, safe and productive machines aimed at supporting customers in developing their own business. Dealers are company partners. They play an important role to support the brand in their territories through intense professional relationship with Customers. New Holland is reinforced by its global alliance with Kobelco: world leader in hydraulic excavator technology.



AT YOUR OWN DEALERSHIP

The information contained in this brochure is intended to be a general nature only. The NEW HOLLAND KOBELCO CONSTRUCTION MACHINERY S.p.A. company may at any time and from time to time, for technical or other necessary reasons, modify any of the details or specifications of the product described in this brochure. Illustrations do not necessarily show products in standard conditions. The dimensions, weights and capacities shown herein, as well as any conversion data used, are approximate only and are subject to variations within normal manufacturing techniques.

Published by NEW HOLLAND KOBELCO CONSTRUCTION MACHINERY S.p.A.  
Printed in Italy - LEADER Firenze - Cod. 30 456GB - Printed 04/09

Printed on recycled paper  
CoC-FSC 000010 CQ Mixed sources



ELEMENTAL  
CHLORINE  
FREE  
GUARANTEED

FIAT  
GROUP



BUILT AROUND YOU



[www.newholland.com](http://www.newholland.com)