



NEW HOLLAND

D 255



NET FLYWHEEL POWER

177 kW - 237 hp

OPERATING WEIGHT

30 400 kg



NEW HOLLAND

CONSTRUCTION

BUILT AROUND YOU

D255 SPECIFICATIONS



ENGINE "EMISSIONED EUROMOT 2"

Net flywheel power (DIN 6270)177 kW/237 hp
 Net flywheel power (SAE J1349).....177 kW
 Net flywheel power (ISO 9249)..... 177 kW
 Net flywheel power (CEE 80/1269) 177 kW
 Make and model Cummins 6CTAA 8.3
 Type turbocharged aftercooled, direct injection,
 4-cycle diesel emissioned Euromot 2
 Number of cylinders 6
 Bore x stroke114 x 135 mm
 Displacement.....8.3 l
 Governed rpm 2200
 Maximum torque at 1400 rpm115 kgm
 Lubrication.....full pressure by double gear pump
Engine will maintain specified power rating up to 2500 m



ELECTRICAL SYSTEM

Voltage24 V
 Battery2
 Rating (total)180 Ah
 Type.....maintenance free
 Starter7.5 kW
 Alternator70 A
 Master switch for electrical system
 Additional starter switch: engine start is from ground level when the
 operator compartment is tilted
 Emergency current socket 24 V



TORQUE CONVERTER

Type single stage, rotating housing
 Torque multiplication 3.28 : 1

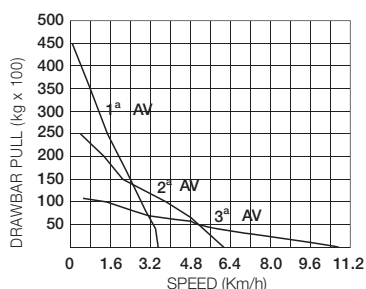


TRANSMISSION

Type: "Full PowerShift", countershaft, constant mesh
 Control modulation..... five trimmer valve, one per clutch pack
 Control pilot, single lever, semi-open pattern
 Clutches multiple disc, hydraulic
 Lubrication full pressure

Speeds and drawbar pull*

Fwd.	km/h
1°	3.7
2°	6.1
3°	10.9
Rev.	km/h
1°	4.4
2°	7.2
3°	12.6



* Drawbar tractive effort depends on adhesion coefficient, rolling resistance and machine operating weight.

Safety device: a lever in the lock position inhibits transmission control lever and engine starting; it automatically engages parking brakes



STEERING AND BRAKING

STEERING
 Hydraulically released, spring applied, oil cooled, multiple disc clutches
 Combined steering and braking
 Control.....pilot, two levers, located to the operator's left
 Control modulationhydraulic retarder for re-engagement of steering clutches
 Friction surfaces each clutch 22
 Total friction area each clutch7612 cm²
BRAKES - SERVICE
 Hydraulically released, spring applied, contracting band oil bath type
 Controlpilot, one pedal
 Total friction area 1604 cm²
BRAKE - PARKING
 Automatic actuation on service brakes with safety transmission lever in lock position or with engine stop



FINAL DRIVES

Type double reduction
 Ratio.....1 : 12.4
 Lubrication splash



TRACK

Box section track frames. Oscillating type.
 Hydraulic track adjusters. Sprockets with bolt-on segments, anti-packing tooth profile
 Track bushing with greater diameter at the rolling area
 Outer sprocket guard, front and rear track guards, full track roller guards
 Disc idlers, track rollers, carrier rollers are permanently lubricated and sealed
 Labyrinth sealed or sealed and lubricated track available
 Split master link
 Track rollers (per track) 7
 Carrier rollers (per track) 2
 Number of shoes 41
 Length of track on ground2973 mm
 Gauge2070 mm
 Track shoes width550 mm

Track shoes	Ground contact area
550 mm	32705 cm ²
600 mm	35675 cm ²
700 mm	41620 cm ²



HYDRAULIC SYSTEM

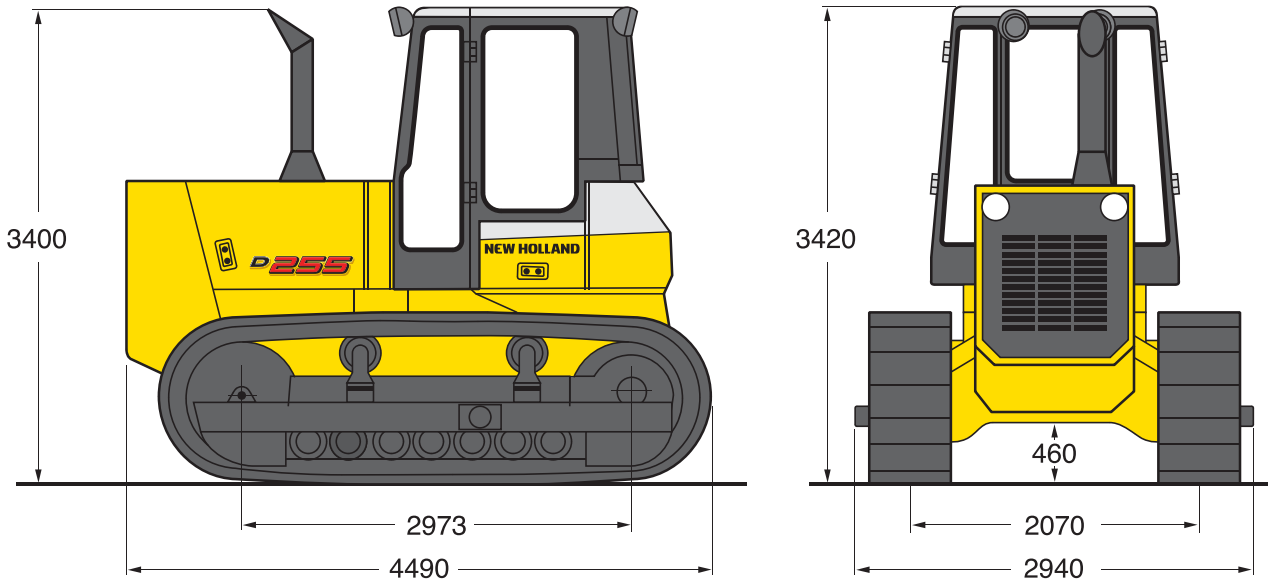
Reservoir closed
 Pump gear type
 Capacity at governed rpm..... 212 l/min
 Relief valve pressure190 bar
 Control valve.....monobloc, three balanced spools with safety lock
 Actuation (blade)..... single lever
 Dozer circuit..... raise, hold, lower, float
 Tilt circuit..... left, hold, right
 Auxiliary circuit for ripper or other attachments

D255 DIMENSIONS



SHIPPING WEIGHT

(including ROPS canopy, blade lift cylinders, lubricants, coolant, 10% fuel) 21850 kg



Blade type	Blade width mm	Blade height mm	Blade capacity SAE J1265 m ³	Max tilt mm	Max pitch	Digging depth mm	Max lift above ground mm	Overall length with blade mm ^{***}	Operating weight with ROPS kg*	Operating weight with ROPS cab kg*
Semi-U (HSU)	3800	1500	7.0	800	11°	530	1220	5855	26600	27000
Angle (HA)**	4460	1100	4.1	700	10°	560	1300	5800	26000	26400

* Includes blade, standard shoes, fuel, lubricants and operator
** Max angulation ± 25°

*** With ripper raised, add 1150 mm to dozer length

Double acting cylinder control
Blade, with quick drop and travel limit valves 2
Bore x stroke 110 x 1302 mm
Tilt (HSU) 1

Bore x stroke 160 x 140 mm
Tilt (HA) 1
Bore x stroke 140 x 124 mm
Hydraulic oil level sight gauge reservoir



CAPACITIES

Litres

Lube oil 22
Coolant 65
Fuel tank 500
TRANSMISSION, oil
Torque converter and transmission 35
Steering and braking 65
Final drive (each) 46
HYDRAULIC SYSTEM 105



RIPPER

MODEL PD255
Type parallelogram
Ripping depth 700 mm
Ripping width 2000 mm
Shanks 3
Shank holders 3
Clearance under tooth with ripper raised 685 mm
Clearance under tool beam with ripper lowered 305 mm
Hydraulic cylinders 2
Bore x stroke 125 x 590 mm
Weight (with three shanks) 3400 kg

STANDARD EQUIPMENT

- Air cleaner dust ejector
- Alternator 70 A
- Antifreeze
- Air cleaner, dry type
- Back-up alarm
- Batteries, maintenance free
- Canopy ROPS
- Control and piping for rear implement
- Combined steering and braking
- Decelerator
- Electronic engine revolution indicator
- Emergency current socket 24 V
- Electrical system, 24 V
- Fan pusher
- Guards: crankcase and transmission, track adjusters, sprocket, front and rear track frames
- Horn
- Hourmeter
- Hood side panels, hinged
- Hook, front and rear
- Hydraulic track adjuster
- Hydraulic: three spool valve, piping, blade lift cylinders

- Instrument -Electronic Data Monitor-
 - warning check level lights: engine oil, transmission oil, engine coolant
 - warning pressure lights: engine oil, transmission oil
 - warning temperature lights: engine coolant, transmission oil
 - warning lights: air filter restriction, hydraulic oil filter
 - warning light: battery charge
 - general malfunction warning light
 - indicator: fuel level
 - level sensor switch
- Lights, two front and four on ROPS canopy
- Muffler
- Operator's compartment tilttable, hydraulic jack
- Pilot control for transmission, steering and braking
- Suspension seat, with cloth cover and seat belt
- Single lever blade control
- Track shoes, 550 mm
- Track roller guards
- Transmission, "Full PowerShift", three speeds forward and reverse
- Warning lights: brake lining wear

OPTIONS

- Air conditioning
- Blades: Semi-U (HSU) complete with Equistatic compensator, push beams and tilt cylinder.
 - Angle blade (HA) complete with C-frame.
 - Angle blade with tilt cylinder.
- Cab ROPS
- Cold weather starting aid
- Diagnostic system
- Heating system for ROPS cab
- Ripper PD255, parallelogram, three shanks
- Sound suppression, external
- Tool kit
- Track, sealed and lubricated with split link
- Track shoes: 600 mm, 700 mm

Note: standard and optional equipment may vary by country. Consult your NEW HOLLAND dealer for specific details.

AT YOUR OWN DEALERSHIP

The information contained in this brochure is intended to be a general nature only. The NEW HOLLAND KOBELCO CONSTRUCTION MACHINERY S.p.A. company may at any time and from time to time, for technical or other necessary reasons, modify any of the details or specifications of the product described in this brochure. Illustrations do not necessarily show products in standard conditions. The dimensions, weights and capacities shown herein, as well as any conversion data used, are approximate only and are subject to variations within normal manufacturing techniques.

Published by NEW HOLLAND KOBELCO CONSTRUCTION MACHINERY S.p.A.
Printed in Italy - LEADER Firenze - Cod. 73301172GB - Printed 05/08

Printed on recycled paper
CoC-FSC 000010 CQ Mixed sources



BUILT AROUND YOU

www.newholland.com